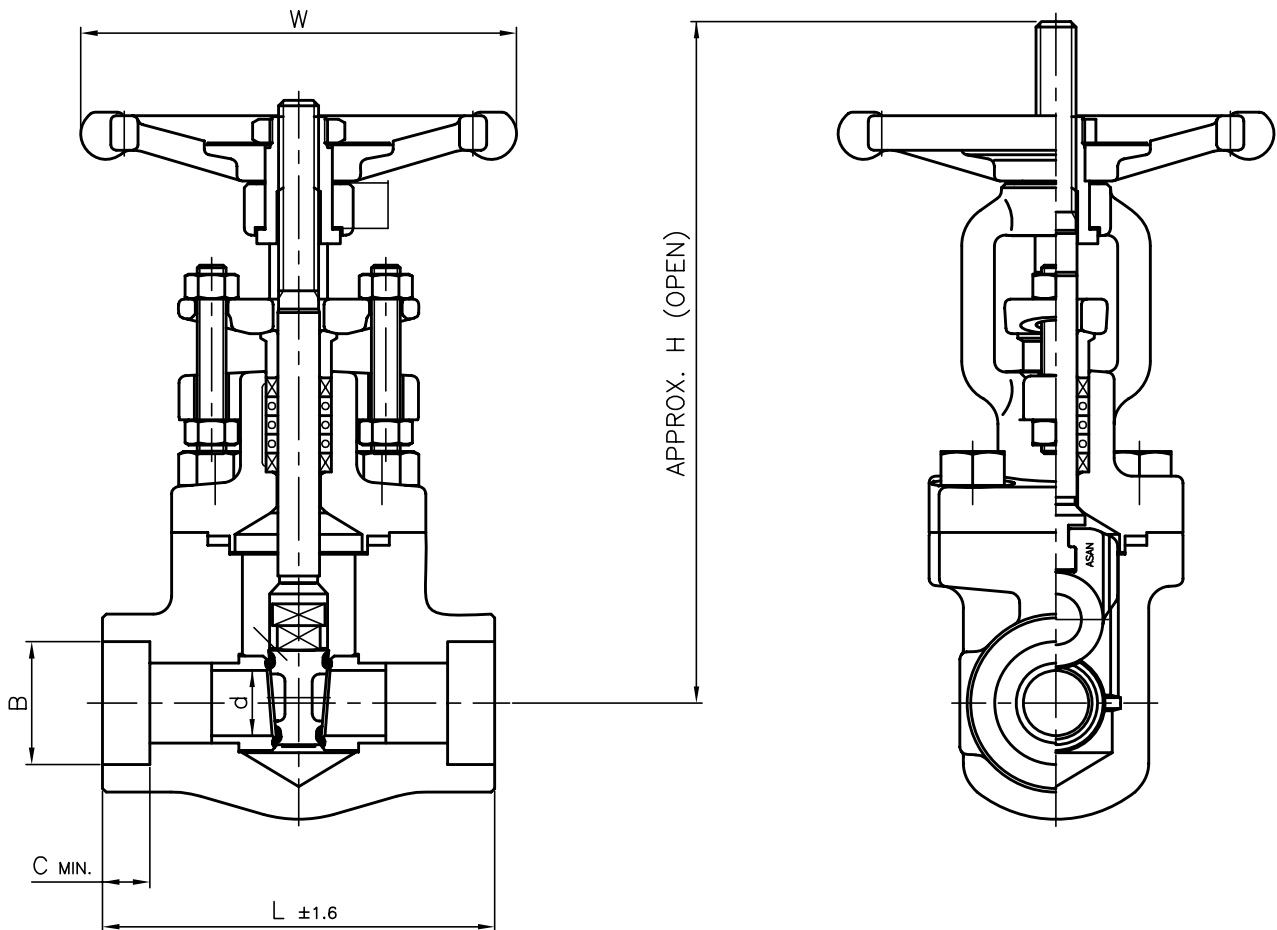


# GATE VALVE 600#

1/2", 3/4", 1", 1-1/2", 2"

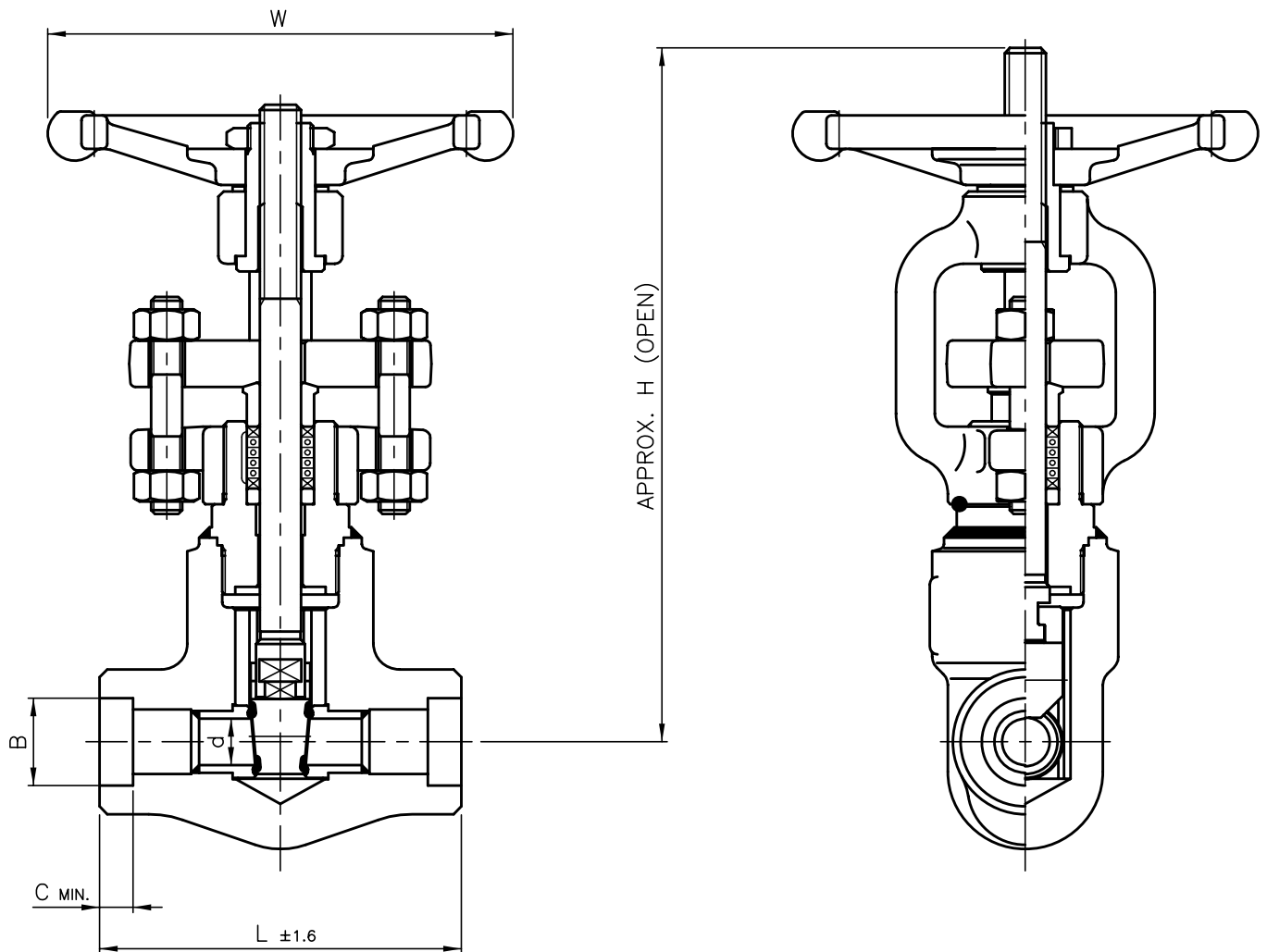


BOLTED BONNET, Outside Screw & Yoke, Socket welding  
 ASME B16.34 – Pressure Temperature Ratings  
 ASME B16.11 – Dimension Of Socket Welding Ends

VALVE DESCRIPTION AND DIMENSION								
VALVE SIZE	PRESSURE CLASS	L	H	W	d	B	C	WEIGHT (kg)
1/2 in.	600	80	153	100	13	21.70–22.20	10	1.8
3/4 in.	600	88	153	100	13	27.05–27.55	13	2.0
1 in.	600	108	188	120	18	33.80–34.30	13	3.3
1.1/2 in.	600	120	239	150	29	48.65–49.15	13	5.9
2 in.	600	138	269	180	37	61.10–61.60	16	9.0

# GATE VALVE 1500#

1/2", 3/4", 1", 1-1/2", 2"

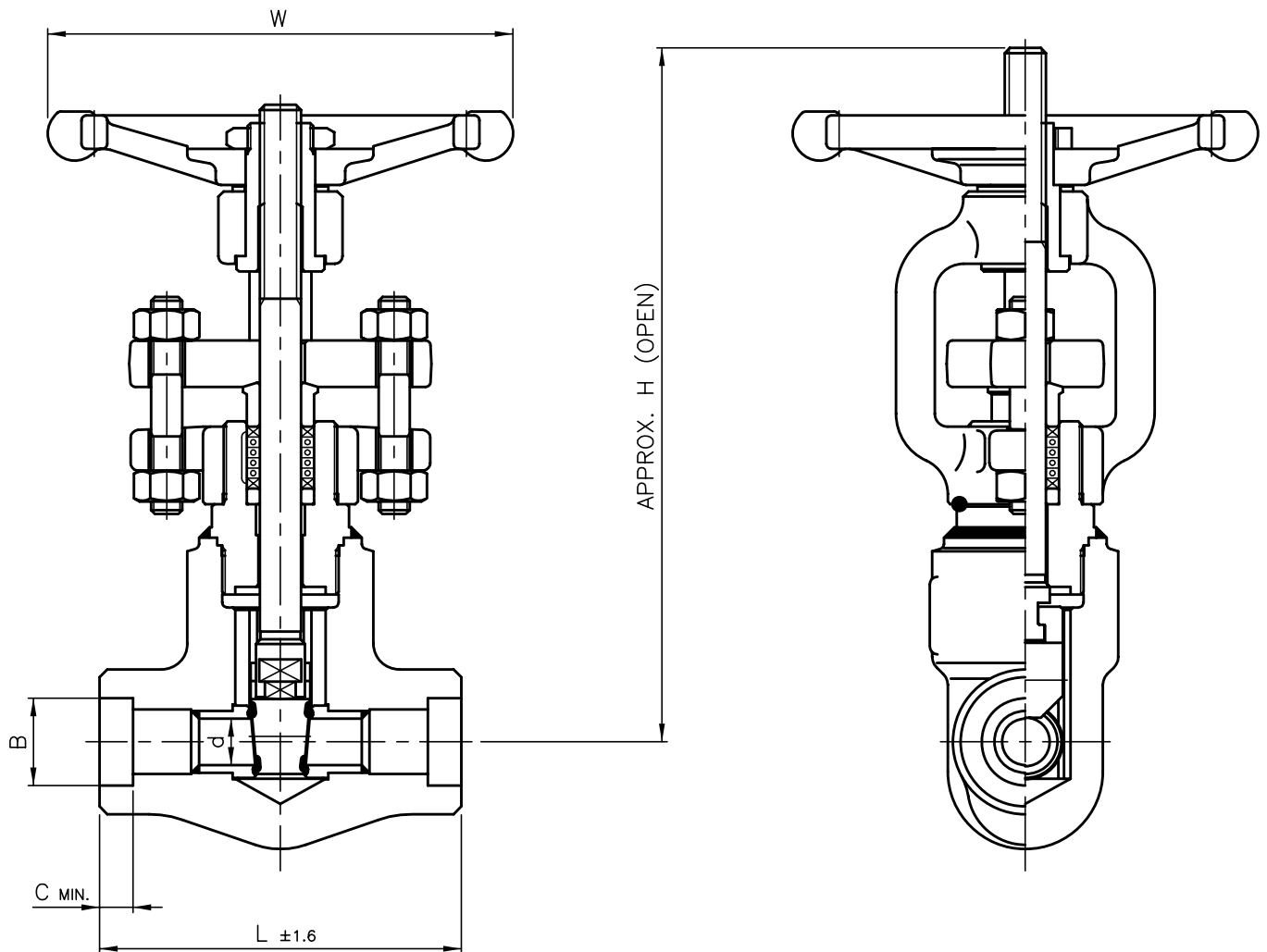


SEAL WELDED BONNET, Outside Screw & Yoke, Socket welding  
 ASME B16.34 – Pressure Temperature Ratings  
 ASME B16.11 – Dimension Of Socket Welding Ends

VALVE DESCRIPTION AND DIMENSION								
VALVE SIZE	PRESSURE CLASS	L	H	W	d	B	C	WEIGHT (kg)
1/2 in.	1500	105	219	150	10	21.70–21.95	10	3.1
3/4 in.	1500	120	236	150	13	27.05–27.30	13	3.6
1 in.	1500	140	270	180	18	33.80–34.05	13	6.5
1.1/2 in.	1500	200	390	250	30	48.65–48.90	13	13.0
2 in.	1500	240	432	300	36	61.10–61.35	16	25.0

# GATE VALVE 2500#

1/2", 3/4", 1", 1-1/2", 2"



SEAL WELDED BONNET, Outside Screw & Yoke, Socket welding  
 ASME B16.34 – Pressure Temperature Ratings  
 ASME B16.11 – Dimension Of Socket Welding Ends

VALVE DESCRIPTION AND DIMENSION								
VALVE SIZE	PRESSURE CLASS	L	H	W	d	B	C	WEIGHT (lb)
1/2 in.	2500	105	219	150	10	21.70–22.20	10	3.4
3/4 in.	2500	120	236	150	13	27.05–27.55	13	4.4
1 in.	2500	140	269	180	18	33.80–34.30	13	10.0
1.1/2 in.	2500	200	390	250	30	48.65–49.15	13	19.5
2 in.	2500	240	432	350	36	61.10–61.60	16	34.0